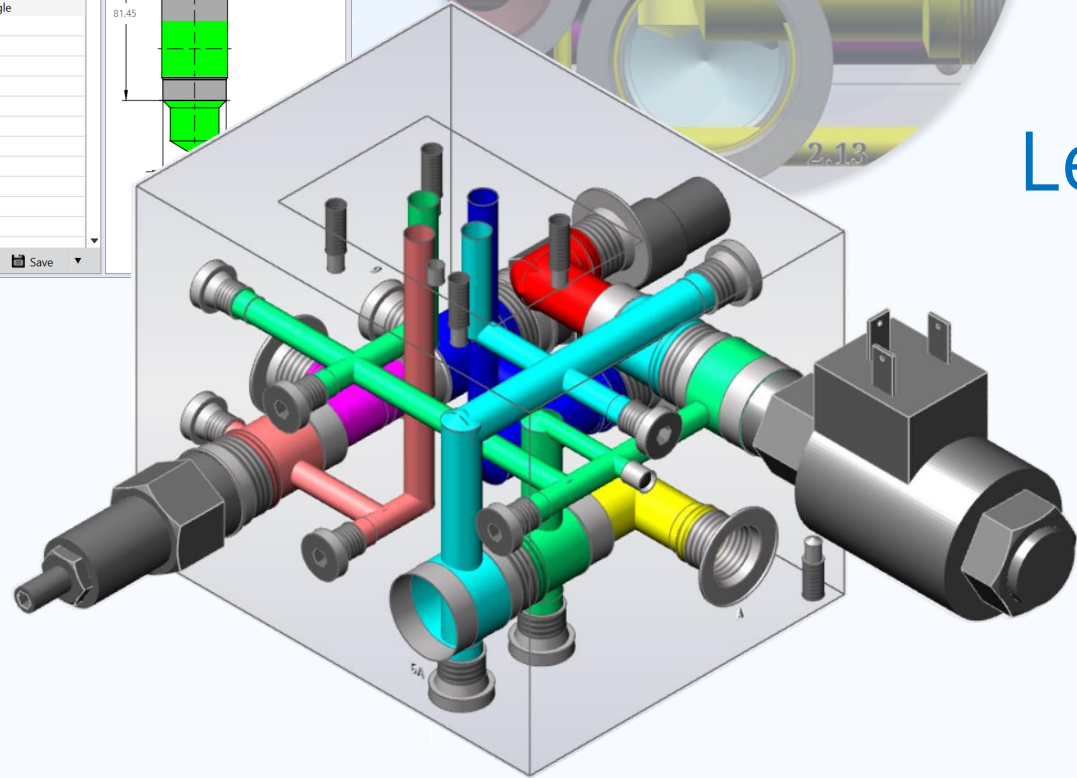
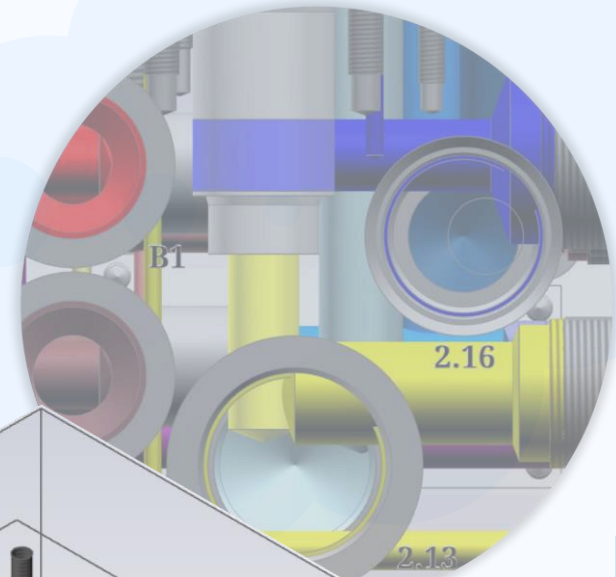
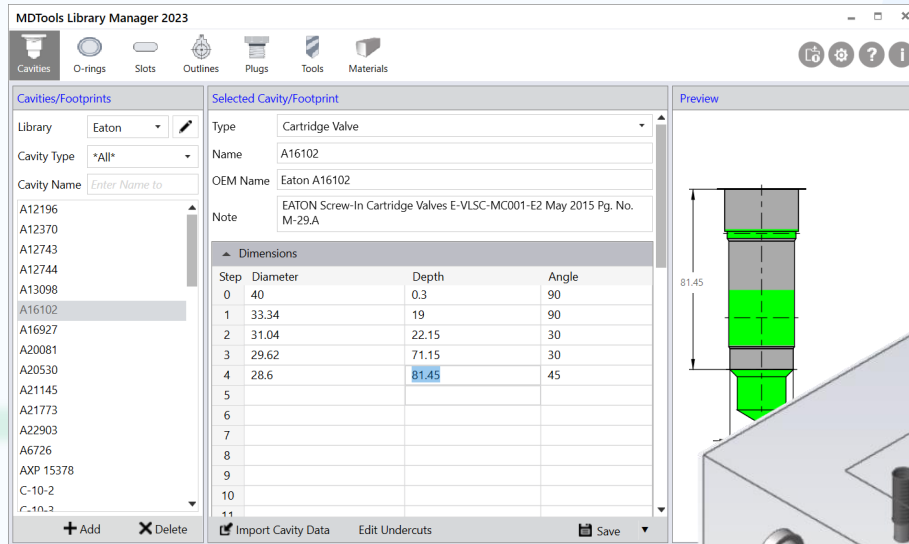


NetBlok3D™ Custom Cavity Library



Leveraging your
Cavity Library

April 4th, 2024



Send your Library with your Sales Team



Upload a custom cavity library
for easy on the go use by the
Sales Team

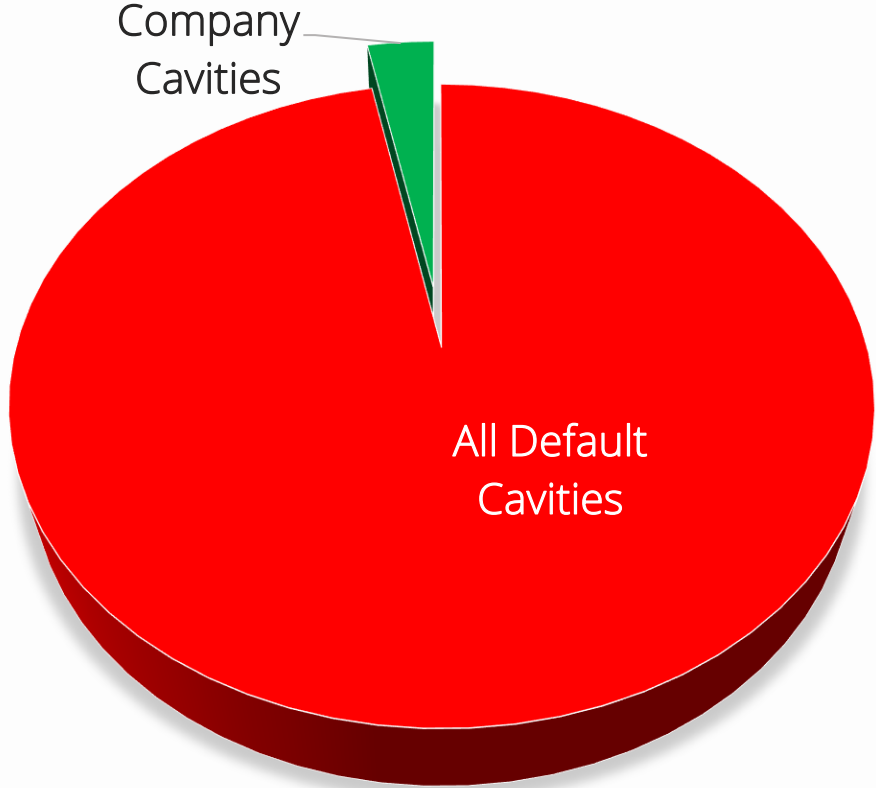


Access a custom MDTools®
library- with the cavities your
company offers- from the cloud

Reduce Confusion and Rework



Company Cavities may only be a small percentage of all available Default Cavities



NetBlok3D™ offers a Default Library with thousands of unique cavities.

Limit Sales Engineers to only cavities provided by your company to reduce the rework of replacing with equivalent cavities.

Utilize the MDTools® Library Manager



Modify and create custom cavities and footprints in the MDTools Library Manager®, and upload to NetBlok3D™

The screenshot shows the MDTools Library Manager 2023 interface. On the left, there is a list of cavity types under the heading 'Cavities/Footprints'. The 'Selected Cavity/Footprint' panel on the right shows details for a 'Cartridge Valve' with name 'A16102'. Below this, a 'Dimensions' table is displayed:

Step	Diameter	Depth	Angle
0	40	0.3	90
1	33.34	19	90
2	31.04	22.15	30
3	29.62	71.15	30
4	28.6	81.45	45
5			
6			
7			
8			
9			
10			
11			

The 'Preview' window on the right shows a 3D technical drawing of the cartridge valve with dimensions 81.45 and 28.6 indicated.

Data ⓘ

Upload Folder  100% ❌ Uploading...

*MDTools Library Manager Available without MDTools subscription

Customize Construction Ports



Assign dedicated construction ports for easy use with Insert X Port Command to reduce confusion searching for ports and increase the speed of design.

The screenshot displays the software interface for customizing construction ports. On the left, the 'Preferred Construction Ports' panel shows the 'SAE Plugs' library selected. Under 'Cavity Name', 'SP-10' is checked. The 'Add' button is visible. In the center, a table lists preferred construction ports:

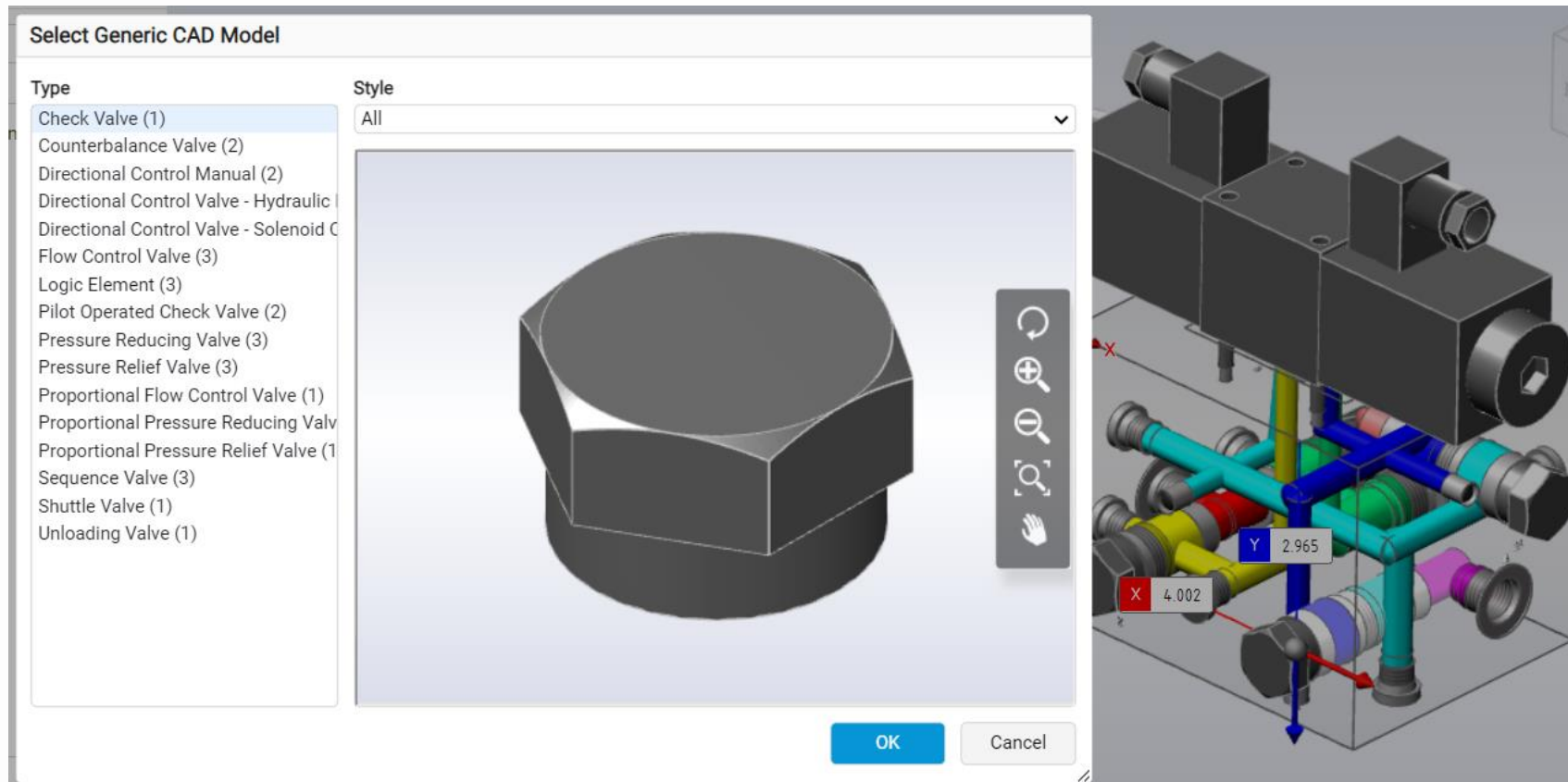
Library Name	Cavity Name
SAE Plugs	SP-02
SAE Plugs	SP-04
SAE Plugs	SP-06
SAE Plugs	SP-08

On the right, the 'Insert Construction Port' dialog box is open, showing the 'Connecting Cavity' set to 'CV3' and 'Port 2'. The 'Construction Port' dropdown is set to 'SP-02'. The 'Diameter' is '6' and the 'Component ID' is 'XPort1'. The background shows a 3D model of a red pipe with a yellow construction port being inserted into a cavity.

Use Generic CAD Models



Use our library of generic CAD Models to begin to visualize an assembly layout with custom cavities and footprints



- Stretch Block Precision Enhancement
- Ability to Edit all ports in a footprint at the same time
- Component Type information available from Schematic XML from NetSkeme or HyDraw

Contact Us Today



VEST, Inc.



+1 248 649-9550



sales@VESTusa.com



VESTusa.com

