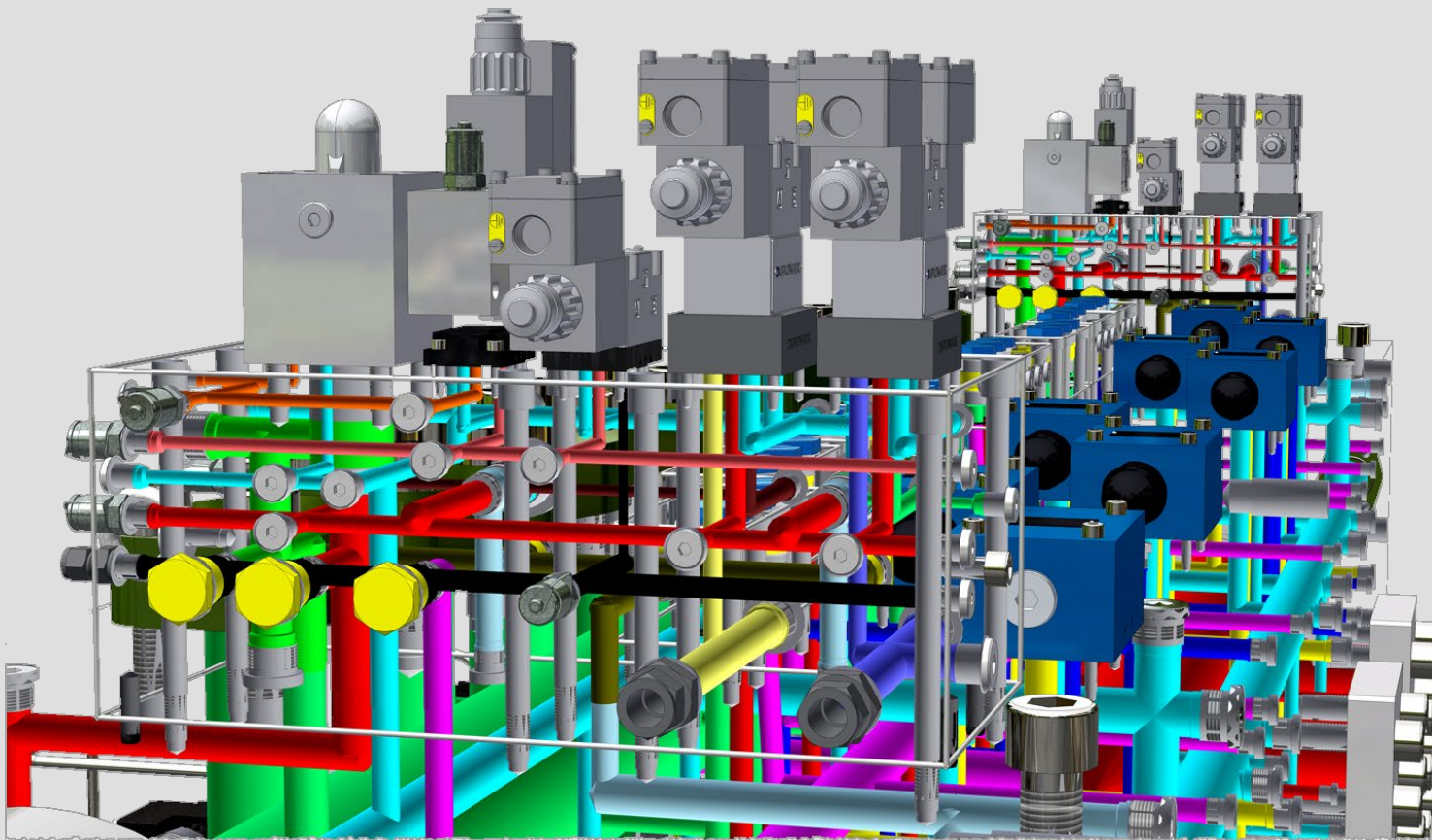


MDTools® 785

What's New



* Manifold Assembly designed with MDTools, courtesy Duplomatic MS SpA.



MDTools® 785 What's New

New Command: Edit Footprint

Edit Footprint

Edit Footprint Features

Depth to Tip Setting

Setting now available in Edit All Cavity Parameters

Bolt Holes

Bolt Holes Modeled using Inventor® Threads

Thread Circles Displayed for Threaded Bolt Holes

Switch to Threaded Bolt Holes

VEST Desktop App

Install VEST Desktop App

Automatically Install Updates

VEST Desktop App Update Manager

Angular Drills

Angular Drills no longer marked as Construction Port

Miscellaneous

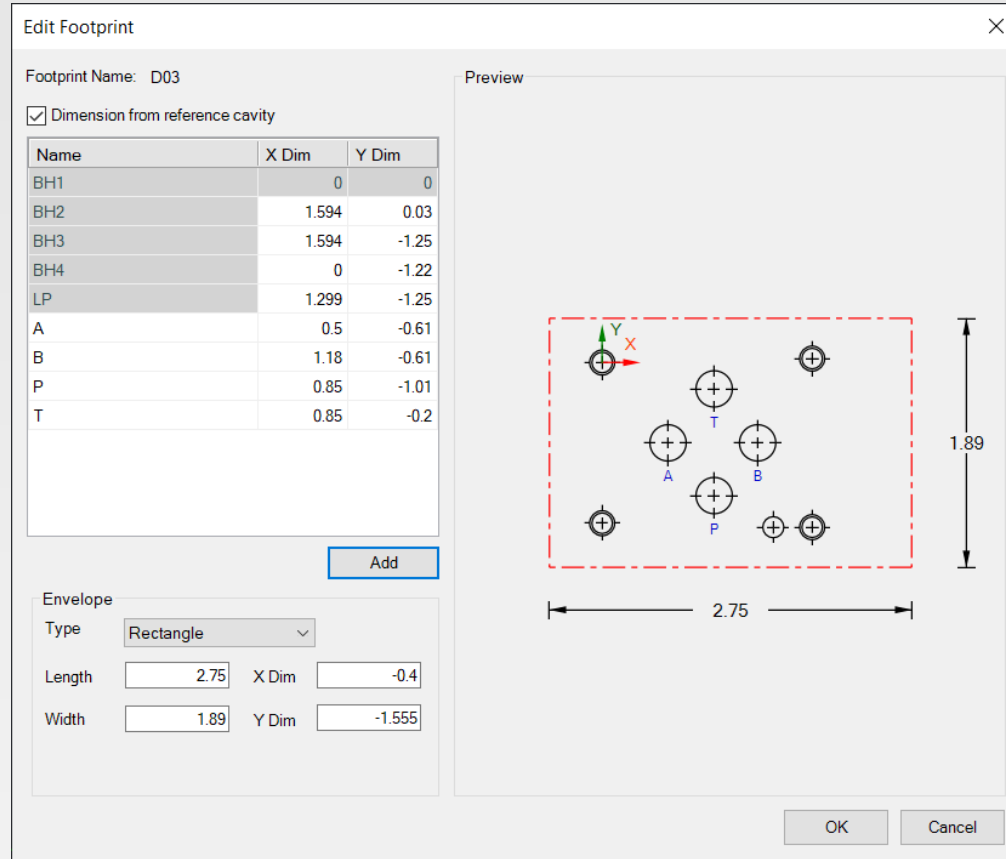
Additional MDTools Enhancements

Edit Footprint

...new command

Edit Footprint

Modify a footprint directly in MDTools®

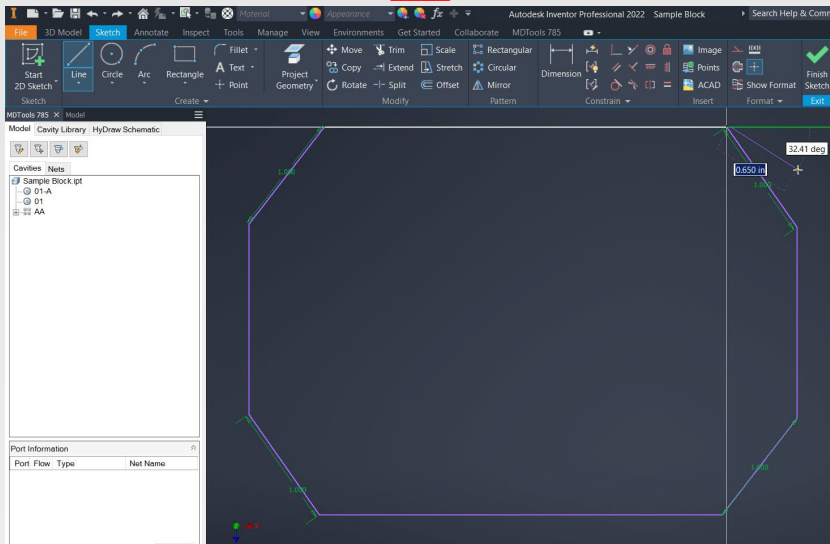


Note

The Edit Footprint command only changes an existing footprint on a block.
MDTools Library Manager is still needed to edit the default footprint parameters.

Edit Footprint Features

2



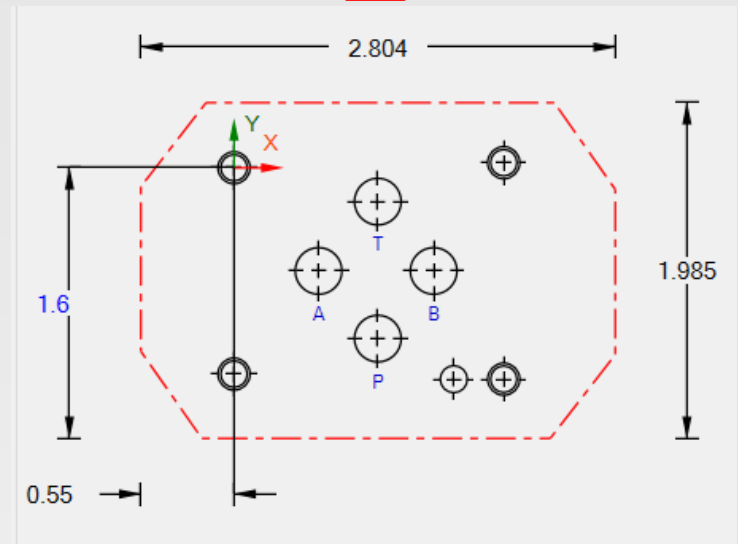
1

Add cavities to an inserted footprint using the **Add** button in the Edit Footprint dialog

2

Change envelope style/size/position
Inventor part modeling sketches can now be used to create custom envelopes

3



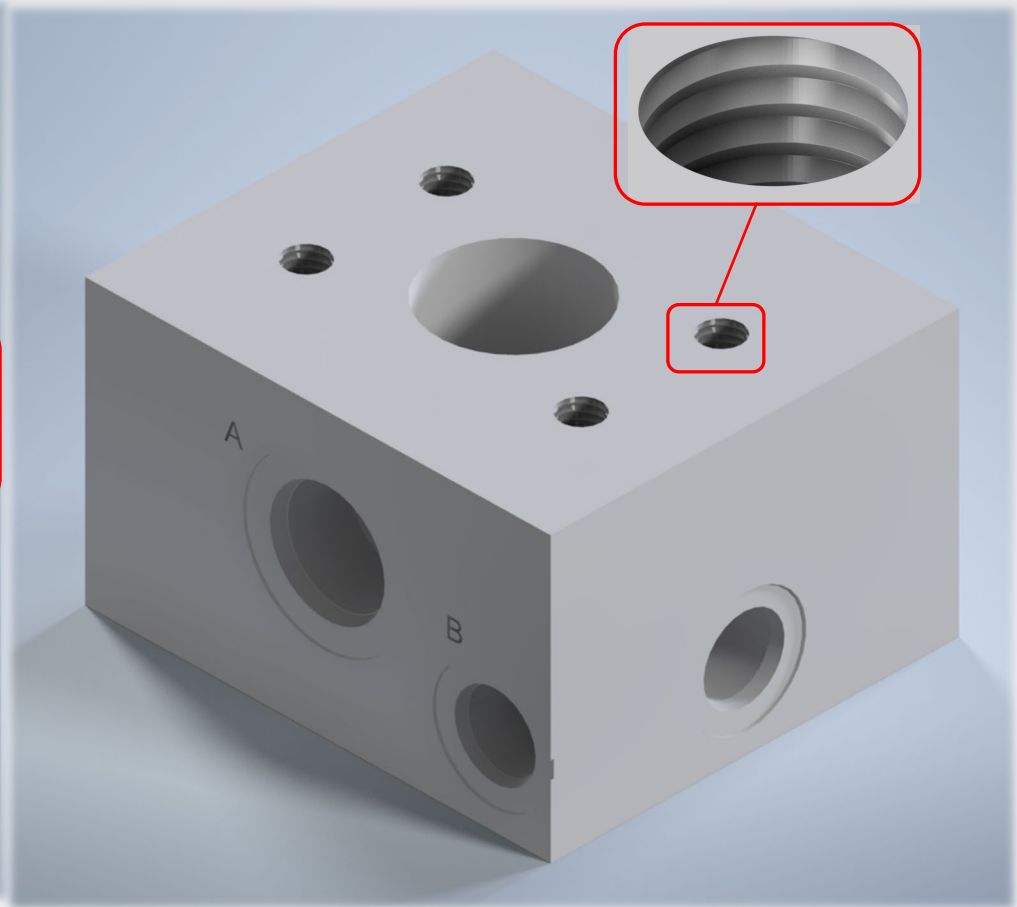
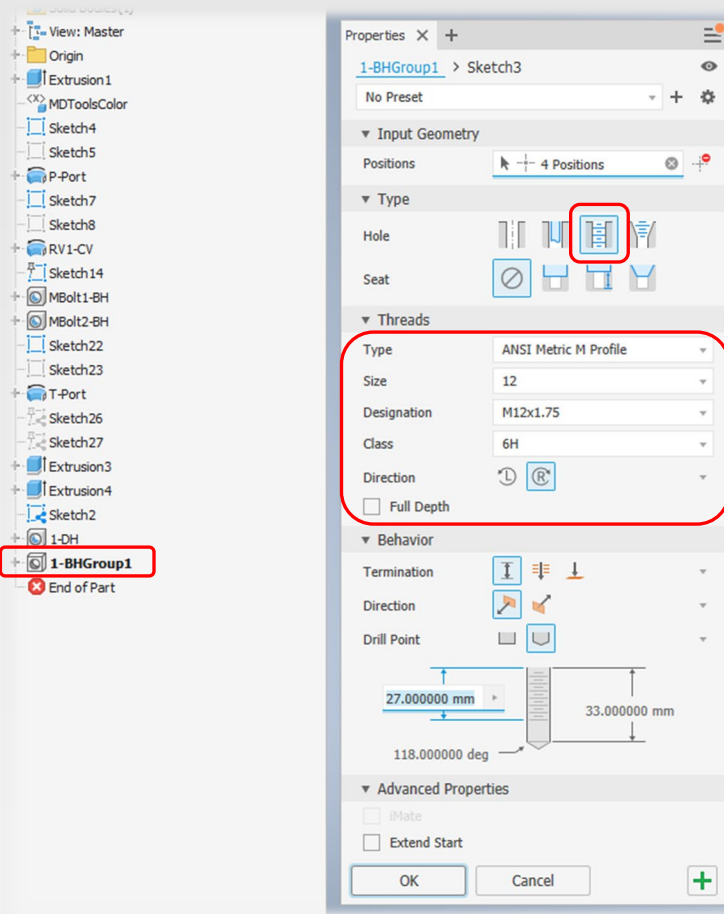
3

Change individual cavity locations within a footprint

Bolt Holes

Threads displayed in the model and in the drawing

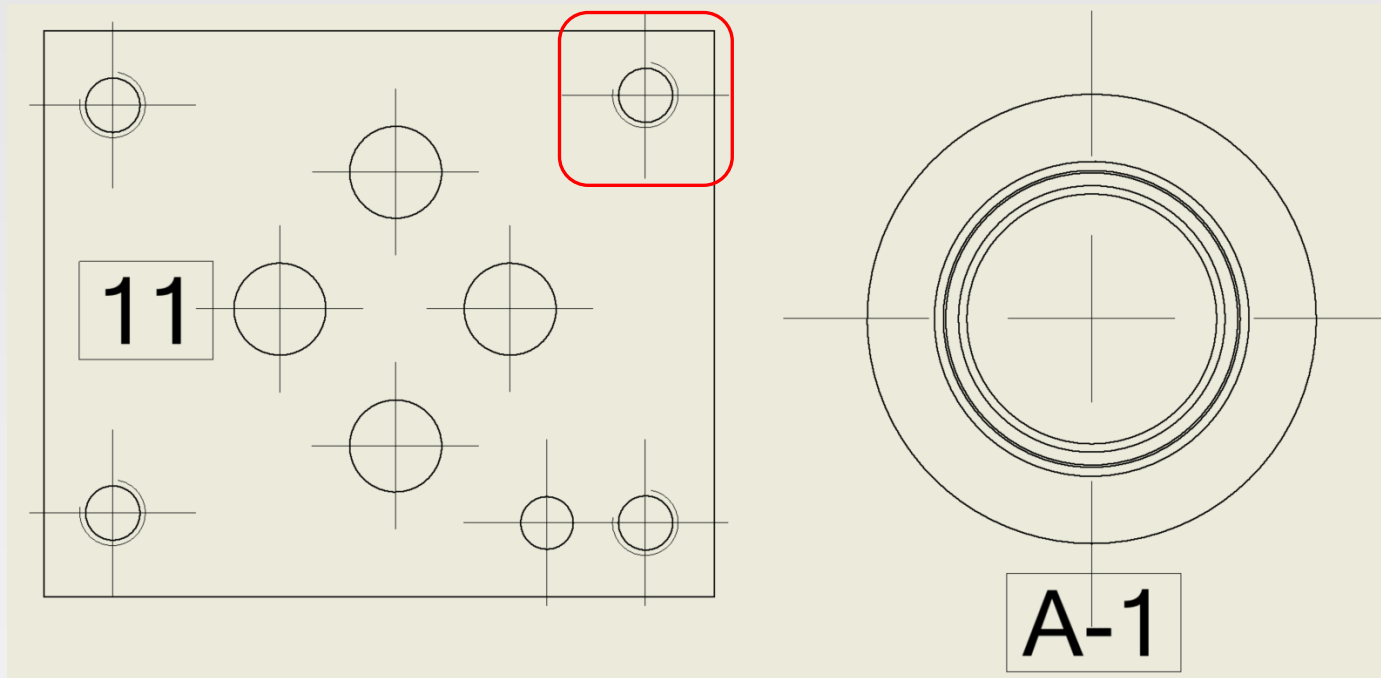
Tapped Hole feature used to show threads in the part model



Note: Threads are only visible when using the Shaded, Realistic, or Monochrome visual styles.

NEW Thread Circles Displayed for Threaded Bolt Holes

Control the display of bolt holes in the Drawing view with Inventor® settings and save those settings in a drawing template

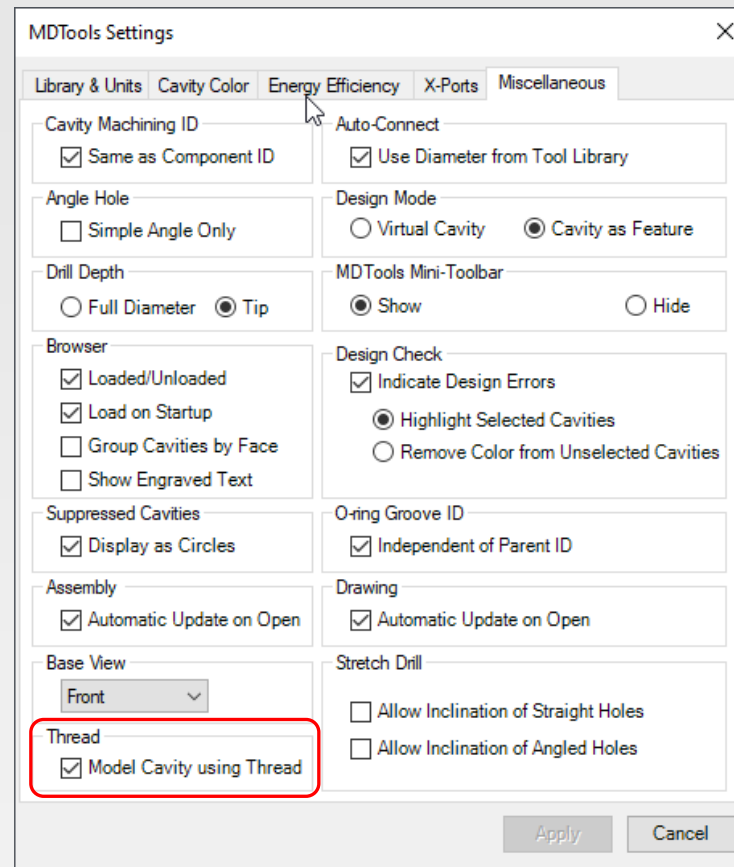


Manage > Styles Editor > Object Defaults > Thread lines

Manage > Styles Editor > Standard > Default Standard (ANSI) > Default Thread Edge Display

Switch to Threaded Bolt Holes

Model Cavity using Thread option available in MDTools® Settings



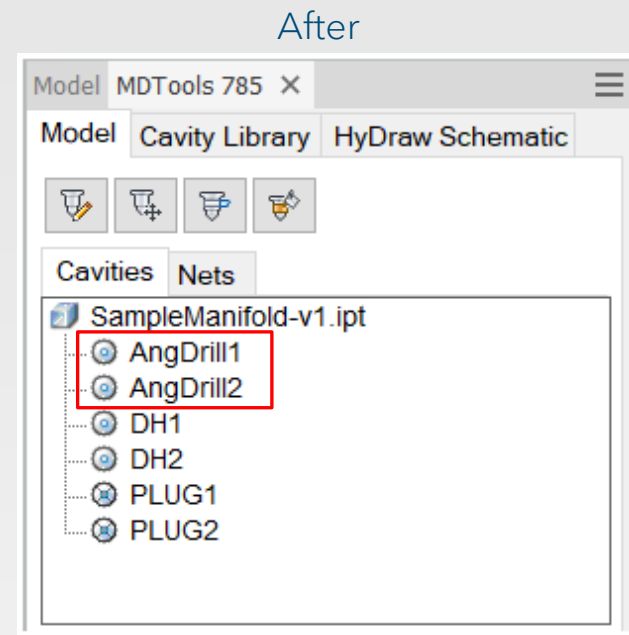
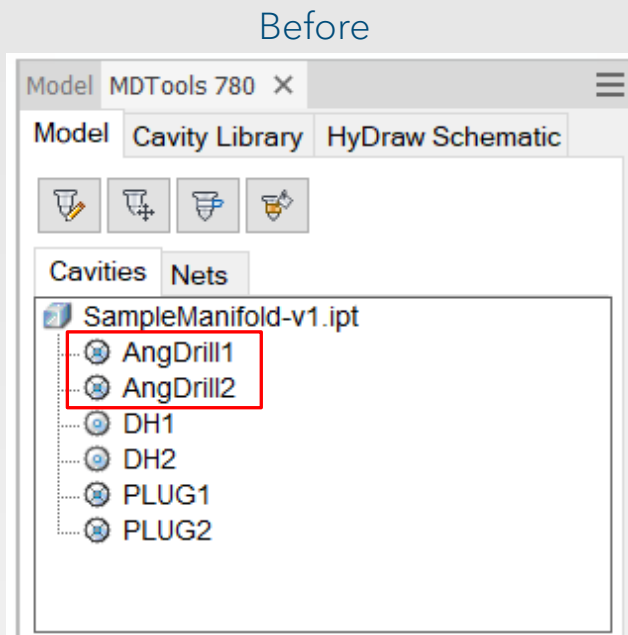
MDTools Settings > Miscellaneous > Thread > Select/Deselect Model Cavity using Thread

Angular Drills

...no longer marked as construction ports

NEW Angular Drills will not be Inserted as X-Port

Angular Drills will not be assigned the X icon in the MDTools® Browser



Assemble Plugs command will not prompt for angular drills

Mark Construction Ports command will not mark angular drills in 2D drawings

Depth to Tip Setting

...now available in Edit All Cavity Parameters



Depth to Tip now available in Edit All Cavity Parameters

Assign Step12 depth to the tip or full radius of the drill

Edit All Cavity Parameters

Component ID: Port 1
Cavity Machining ID: 1
Footprint OEM Name: #3 SAE
Cavity Type: Port

Cavity Dimensions

Step	Diameter	Depth	Angle
0	19.05	0.79	90
1	10.69	0	12
2	9.89	1.88	45
3	9.52	9.91	60
4	8.38	11.89	60
5			
6			
7			
8			
9			
10			
11			
12	8	21.36	60

Depth to Tip

Max. Pilot Drill Diameter: 8

Thread Detail

Step#	Size	Pitch	Class
3	0.375	3/8-24 UN	2B

Comments: Source Data Used is Inch.

Machining Sequence

Operation	Diameter	Depth	Remarks
0 DRILL	\$STEP12	\$STEP12	
1 FORM PORT	#3 SAE	\$STEP0	
2 TAP	3/8-24	\$STEP3	UNF-2B
3			
4			
5			
6			

Port Information

Port	Dia	Depth	Flow	Type	Net Name	Connecting ...
1				Pressure	NET-1	

Plug Detail

Head Height	Insert Depth	Max. Pressure
3.05	7.54	6000 psi

Inclination

Beta: 0 Alpha: 0

Preview

Update Preview

OK Cancel Hide Preview

VEST Desktop App

...updates

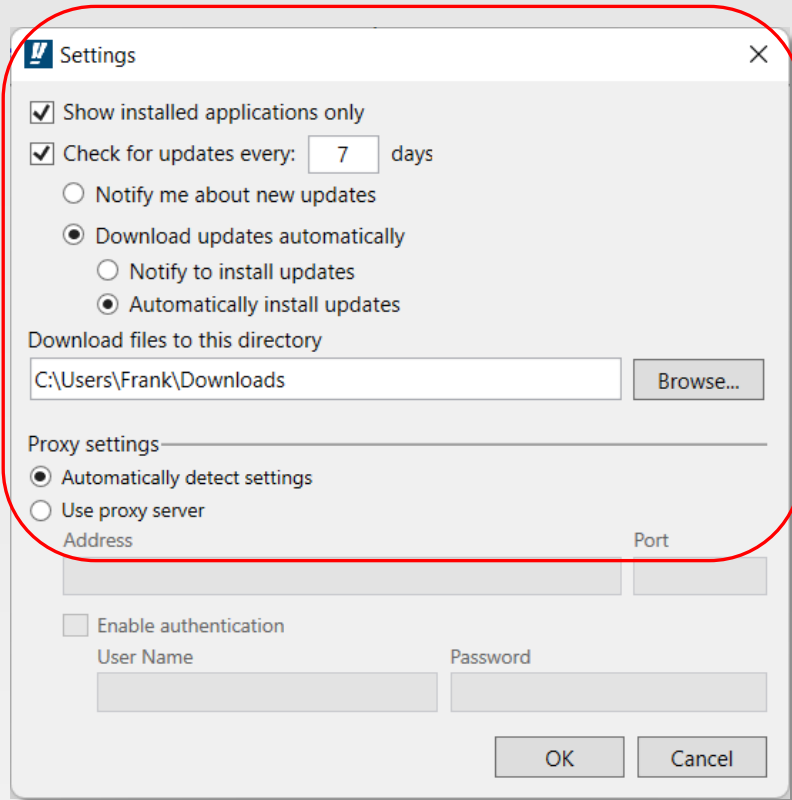
NEW

Install VEST Desktop App

The screenshot shows the MDTTools 785 software interface. At the top, there is a title bar with the MDTTools 785 logo and the VEST logo. Below the title bar is a large 3D rendering of a complex manifold assembly with various pipes, valves, and components in different colors (red, blue, yellow, green, purple). Below the 3D rendering, there is a navigation menu with several options: Readme, What's New, MDTTools Help, Library Manager Help, and VEST Desktop App Help. To the right of these options are three buttons with download icons: "Install VEST Desktop App", "Install Library Manager", and "Install MDTTools 785". The "Install VEST Desktop App" button is highlighted with a red border. At the bottom right of the interface is an "Exit" button.

Automatically Install Updates

VEST Desktop App Update Manager: Settings



Outstanding updates can be detected and automatically downloaded or installed with no effort

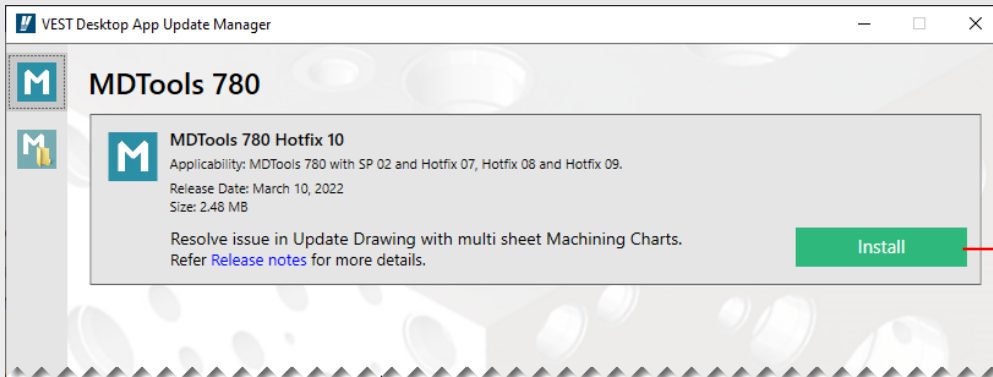
Note

The VEST Desktop App does not install automatically with MDTools 785.



VEST Desktop App Update Manager

Check for uninstalled updates



Any outstanding updates for VEST products will display within the VEST Desktop App Update Manager. Install directly.

Note

The VEST Desktop App does not install automatically with MDTools 785.

Miscellaneous

...additional MDTools® enhancements

NEW

Additional MDTools® Enhancements

...more power

- MDTools now compatible with Autodesk® Vault 2022
- MDTools now supports Windows® 11 GUI
- Machining Chart update now supports multi-sheet charts

MDTools® 785

Premier 3D manifold design software

USA: +1 (248) 649-9550 sales@VESTusa.com

Europe: +39 328 695 7001 carlo.molon@VESTusa.com

